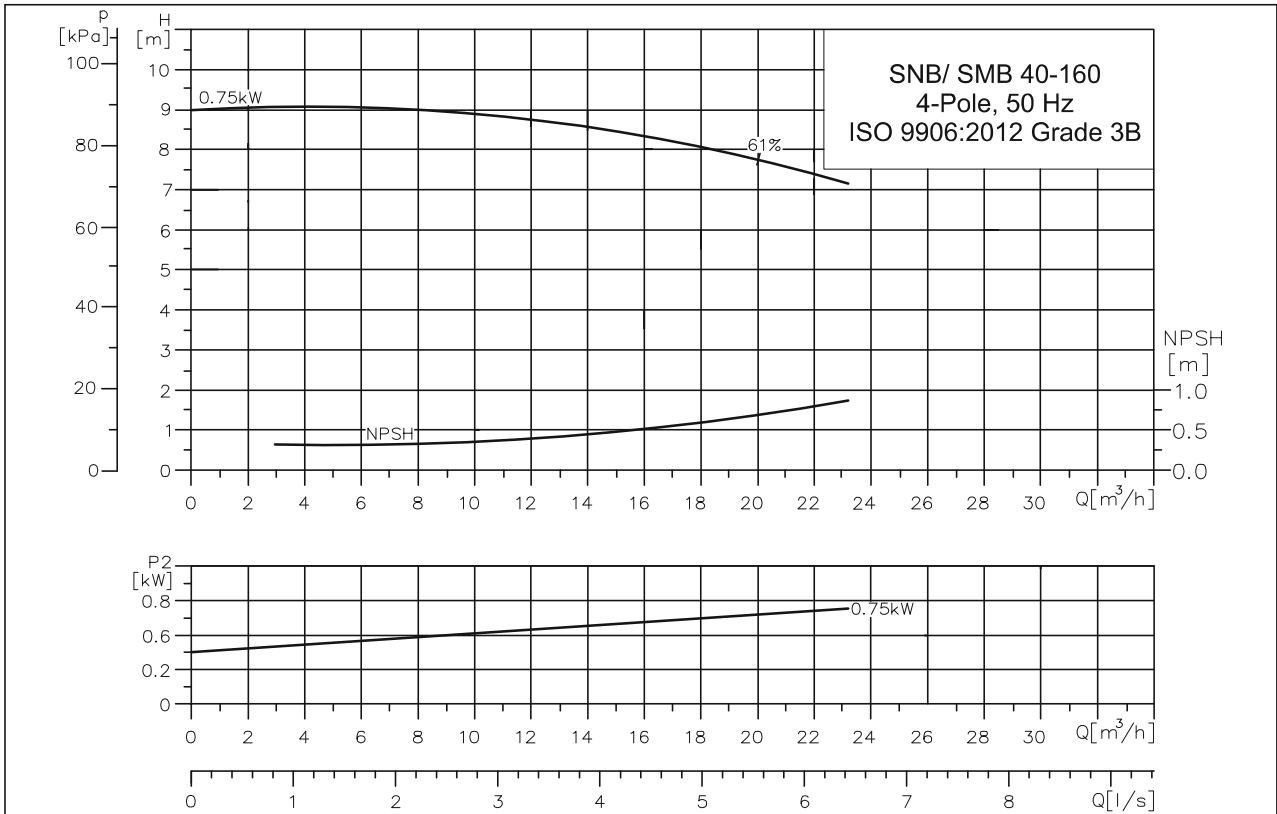


PERFORMANCE CURVE

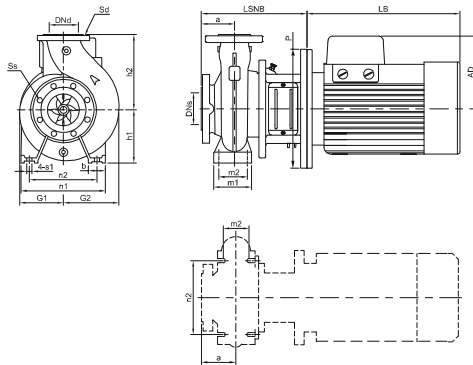
SNB 40-160 (4 POLE)



Recommended suction x delivery pipe size :

[kW / H.P.] 0.75/1.0 : 65 x 50 mm

SNB CI



PERFORMANCE TABLE

SNB 40-160 (4 POLE)

Pump type	40-160		
Motor type	High Eff.Motor		SMG 80
SNB CI DATA	P ₂	[kW/HP]	0.75/1.0
	PN	[bar]	16
	DN _s	[mm]	65
	DN _d	[mm]	40
	a	[mm]	80
	h ₂	[mm]	160
	h ₁	[mm]	132
	S _s		4x19
	S _d		4x19
	G ₁	[mm]	116
	G ₂	[mm]	134
	m ₁	[mm]	100
	m ₂	[mm]	70
	n ₁	[mm]	240
	n ₂	[mm]	190
	b	[mm]	50
	s ₁	[mm]	M12
	L SNB	[mm]	212
	LB	[mm]	242
	P	[mm]	200
AD	[mm]	125	
NET WT. (APX.)	[kg]	36	
GROSS WT. (APX.)	[kg]	42	